



## EC TYPE-EXAMINATION CERTIFICATE (EC Directive 89/686/EEC)

### Number EC66723-03

**Notified body number: 2019**

*NOTIFIED UNDER ARTICLE 9 OF EC DIRECTIVE 89/686/EEC*

**Issued to:** **Portwest Ltd**  
Portwest House  
IDA Business & Technology Park  
Westport  
Co. Mayo  
Ireland

**Portwest Ltd Fuzhou Office**  
Room 1104, Fuzhou International Financial Center  
No. 1, Wanglong 2nd Road  
Taijiang Area  
Fuzhou 350001  
Fujian, China

It is certified that the manufacturer's technical file and the PPE detailed below have been assessed and found to be in accordance with EC Directive 89/686/EEC for PPE of 'Intermediate Design'.

**Portwest Style S493 Sealtex Breathable Trousers**, constructed from a yellow PU coated 100% polyester tricot fabric (185gm), with welded seams. The garment features two bands of heat applied retro-reflective tape about the lower leg. The garment is available in nine nominal sizes the smallest being XS.

When examined the PPE satisfied the relevant requirements in the harmonised standards,

EN ISO 20471:2013 Class 1  
EN 343:2003 A1:2007 Class 3, 2

The manufacturer's information notices detailed within the technical file (5-USP) in English have been assessed and found to have addressed all of the relevant requirements of the standards. However the detailed content of the notice is the responsibility of the manufacturer as are translations into other languages.

**CE**  
**2019**

*Authorised By:*  
Dale Brockbank  
Materials Testing Manager

Issue 2 30 July 2018

Certified since 22 December 2014

WYMTS Reference : 84436

❖ This Certificate remains the property of West Yorkshire Materials Testing Service whom it must be returned to on request.



5380



## EC TYPE-EXAMINATION CERTIFICATE (EC Directive 89/686/EEC)

### Number EC66723-03

**Notified body number: 2019**  
 NOTIFIED UNDER ARTICLE 9 OF EC DIRECTIVE 89/686/EEC

**ALL TEST DOCUMENTS MUST BE INCLUDED IN THE TECHNICAL FILE**

Requirement	Assessment	Technical Documentation
Technical File	Technical file in order with PPE Directive (89/686/EEC)	Portwest technical file S493 15/06/18 and supplements.
ISO 13688 Innocuousness	Garment meets all requirements	Oeko-Tex SHKO 049266 TESTEX
EN 340 Ergonomics and sizing ISO 20471 Design assessment	Garment meets all requirements, with size XS achieving Class 1	Garment assessed
EN ISO 20471	EN ISO 20471	BTTG 11/19380/A TUV 21200379 004 BV (9314)293-1025 WYMTS 100930
EN 343	Class 3, 2	BTTG 11/21088 BTTG 60/00712 BTTG 11/17498/B BTTG 60/00614 SATRA FWT0256036/1714 WYMTS 100930-01
Product Markings	Marking meets the requirements of ISO13688 & ISO 20471	Detailed within technical file




*Authorised By:*  
 Dale Brockbank  
 Materials Testing Manager

Issue 2 30 July 2018

Certified since 22 December 2014

WYMTS Reference : 84436

❖ This Certificate remains the property of West Yorkshire Materials Testing Service whom it must be returned to on request.



5380

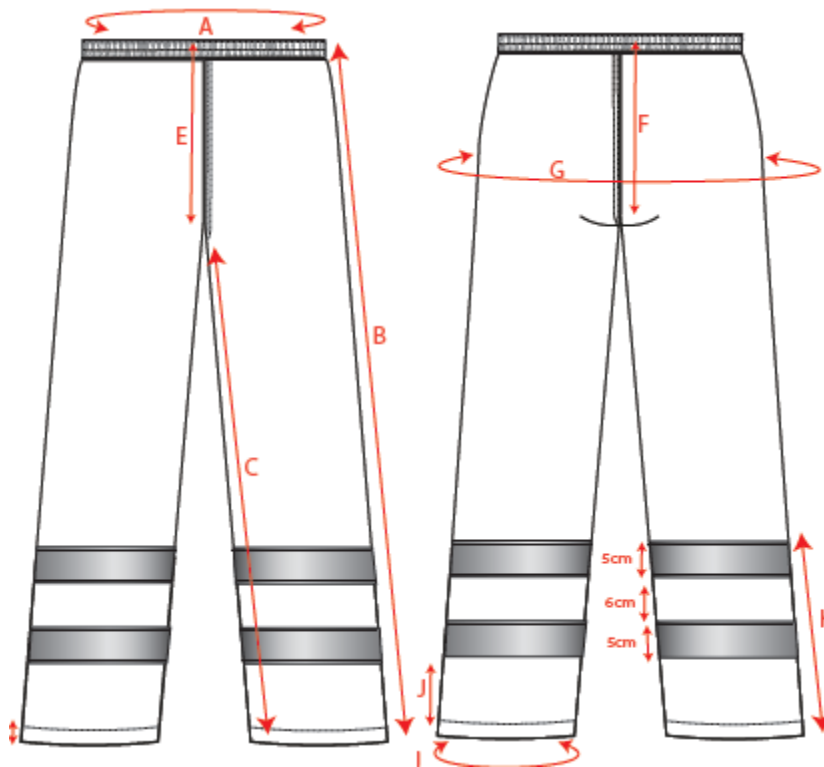


**EC TYPE-EXAMINATION CERTIFICATE**  
**(EC Directive 89/686/EEC)**

**Number EC66723-03**

**Notified body number: 2019**  
 NOTIFIED UNDER ARTICLE 9 OF EC DIRECTIVE 89/686/EEC

Drawing of Garment



**CE**  
**2019**

*Authorised By:*  
 Dale Brockbank  
 Materials Testing Manager

Issue 2 30 July 2018

Certified since 22 December 2014

WYMTS Reference : 84436

❖ This Certificate remains the property of West Yorkshire Materials Testing Service whom it must be returned to on request.



5380