

EC TYPE-EXAMINATION CERTIFICATE (EC Directive 89/686/EEC)

Notified body number: 2019

NOTIFIED UNDER ARTICLE 9 OF EC DIRECTIVE 89/686/EEC

Certificate No: EC65800-06

Issue 1 15 September 2014

Certified since 15 September 2014

Supersedes EC46946

Issued to:

Portwest Clothing Ltd.

Fields End Business Park,
Thurnscoe,
South Yorkshire.
S63 0JF,
England.

Portwest Ltd (Fuzhou)

13th Floor, ChuangYe Building,
HaiXi Hitech Industrial Park
MinHou County,
FuZhou City, Fujian Province
Republic of China
P.O. 350108

It is certified that the manufacturer's technical file and the PPE detailed below have been assessed and found to be in accordance with EC Directive 89/686/EEC for PPE of 'Intermediate Design'.

PPE Product:

Portwest Style C405 high visibility waistcoat constructed from an Orange, and Yellow knitted polyester fabric (124 g/m), and having sewn two horizontal bands of retroreflective material sewn on about the torso (60mm wide bands on size S/M, 50mm wide bands other sizes) The waist coat is available in four nominal sizes the smallest being S/M and has a 'Visitor' Motif emblazoned on the back.

When examined the PPE satisfied the relevant requirements in the harmonized standards,

EN ISO 20471:2013 Class 2

The manufacturer's information notices detailed within technical files (C405) in English have been assessed and found to have addressed all of the relevant requirements of the standards. However the detailed content of the notice is the responsibility of the manufacturer as are translations into other languages.

CE
2019



Authorised by:
G Briggs
Head of Laboratory

- ❖ This Certificate remains the property of West Yorkshire Materials Testing Service whom it must be returned to on request.
- ❖ This certificate is only valid if the seal is stamped.



EC TYPE-EXAMINATION CERTIFICATE (EC Directive 89/686/EEC)

Notified body number: 2019
NOTIFIED UNDER ARTICLE 9 OF EC DIRECTIVE 89/686/EEC

Certificate No: EC65800-06 Issue 1 15 September 2014
Certified since 15 September 2014
Supersedes EC46946

Issued to:

<p>Portwest Clothing Ltd. Fields End Business Park, Thurnscoe, South Yorkshire. S63 0JF, England.</p>	<p>Portwest Ltd (Fuzhou) 13th Floor, ChuangYe Building, HaiXi Hitech Industrial Park MinHou County, FuZhou City, Fujian Province Republic of China P.O. 350108</p>	
--	--	--

ALL TEST DOCUMENTS MUST BE INCLUDED IN THE TECHNICAL FILE

Requirement	Assessment	Technical Documentation
Technical File	Technical file in order with PPE Directive (89/686/EEC)	Portwest technical file C405 dated 03-09-14, and supplements.
ISO 13688 Innocuousness	Garment meets all requirements	Oekotex Certificate 11-23395
ISO 13688 Ergonomics and sizing, and EN ISO 20471 Design assessment.	Garment meets all requirements, with size S/M achieving Class 2	Garment Design Assessed
EN ISO 20471	Background fabric meets ENISO 20471	BTTG 12703/00262/JS BTTG 11/13022/PJH WYMTS 61362, 46914
EN ISO 20471	Retro -reflective Tape	Satra SPC0198770/1143
Product Markings	Marking meets the requirements of ISO 20471:2013	Detailed within technical File




Authorised by:
G Briggs
Head of Laboratory

- ❖ This Certificate remains the property of West Yorkshire Materials Testing Service whom it must be returned to on request.
- ❖ This certificate is only valid if the seal is stamped.



EC TYPE-EXAMINATION CERTIFICATE (EC Directive 89/686/EEC)

Notified body number: 2019
NOTIFIED UNDER ARTICLE 9 OF EC DIRECTIVE 89/686/EEC

Certificate No: EC65800-06

Issue 1 15 September 2014

Certified since 15 September 2014

Supersedes EC46946

Issued to:

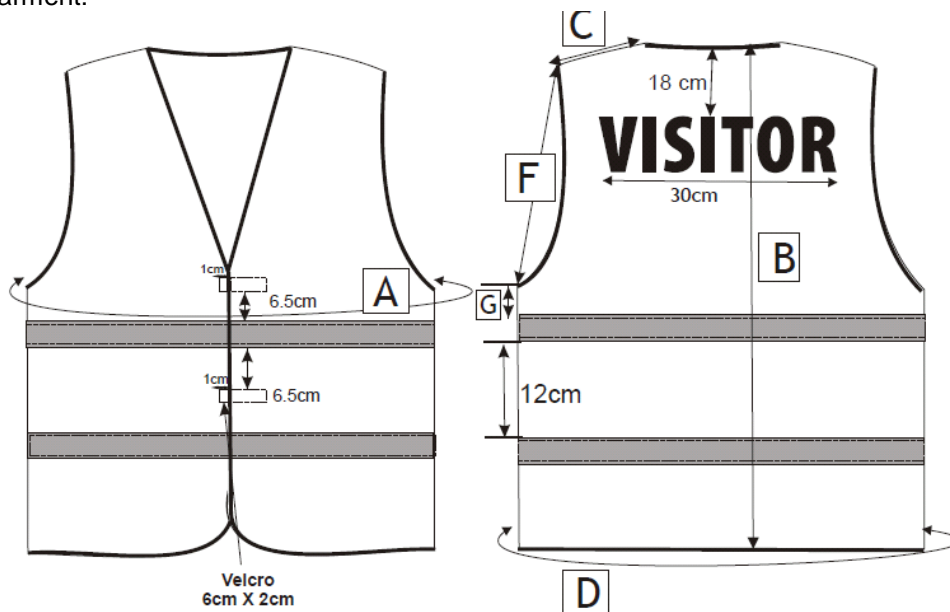
Portwest Clothing Ltd.

Fields End Business Park,
Thurnscoe,
South Yorkshire.
S63 0JF,
England.

Portwest Ltd (Fuzhou)

13th Floor, ChuangYe Building,
HaiXi Hitech Industrial Park
MinHou County,
FuZhou City, Fujian Province
Republic of China
P.O. 350108

Drawing of Garment:




Authorised by:
G Briggs
Head of Laboratory

CE
2019

- ❖ This Certificate remains the property of West Yorkshire Materials Testing Service whom it must be returned to on request.
- ❖ This certificate is only valid if the seal is stamped.

