



EC TYPE-EXAMINATION CERTIFICATE (EC Directive 89/686/EEC)

Number EC84513

Notified body number: 2019

NOTIFIED UNDER ARTICLE 9 OF EC DIRECTIVE 89/686/EEC

Issued to: Portwest Clothing Ltd.

**Fields End Business Park,
Thurnscoe,
South Yorkshire.
S63 0JF,
England.**

It is certified that the manufacturer's technical file and the PPE detailed below have been assessed and found to be in accordance with EC Directive 89/686/EEC for PPE of 'Intermediate Design'.

PPE Product:

Portwest® Hi-Vis Versatile Vest Style L474, constructed from a 124g/m² warp knitted polyester fabric in yellow or a 130g/m² warp knitted polyester fabric in orange. The garment features two horizontal bands of sewn on retro-reflective tape encircling the torso (60 mm wide bands on size S/M, 50 mm wide bands on other sizes). The vest is available in four nominal sizes the smallest being S/M.

When examined the PPE satisfied the relevant requirements in the harmonized standard,

EN ISO 20471:2013 Class 2

And the non-harmonized standard,

RIS-3279-TOM Issue 1:2016 (orange only)

The manufacturer's information notices detailed within technical files (L474) in English have been assessed and found to have addressed all of the relevant requirements of the standards. However the detailed content of the notice is the responsibility of the manufacturer as are translations into other languages.

CE
2019

Authorised By:
Dale Brockbank
Materials Testing Manager

Issue 1 14 August 2017

Certified since 14 August 2017

WYMTS Reference : 84513

❖ This Certificate remains the property of West Yorkshire Materials Testing Service whom it must be returned to on request.



5380



EC TYPE-EXAMINATION CERTIFICATE (EC Directive 89/686/EEC)

Number EC84513

Notified body number: 2019
 NOTIFIED UNDER ARTICLE 9 OF EC DIRECTIVE 89/686/EEC

ALL TEST DOCUMENTS MUST BE INCLUDED IN THE TECHNICAL FILE

Requirement	Assessment	Technical Documentation
Technical File	Technical file in order with PPE Directive (89/686/EEC)	L474 dated 31/07/17
ISO 13688 Innocuousness	Garment meets all requirements	Oekotex Certificate 11-23395
EN ISO 20471/ISO 13688 Ergonomics and sizing	Garment meets all requirements	Garment assessed
EN ISO 20471 RIS-3279-TOM	Class 2	BTTG 11/20707/A BTTG 11/20707/B BTTG 60/01312/B SATRA SPC0218053/1338
Product Markings	Marking meets the requirements of EN ISO 20471:2013, ISO 13688	Detailed in technical file




Authorised By:
 Dale Brockbank
 Materials Testing Manager

Issue 1 14 August 2017

Certified since 14 August 2017

WYMTS Reference : 84513

❖ This Certificate remains the property of West Yorkshire Materials Testing Service whom it must be returned to on request.



5380

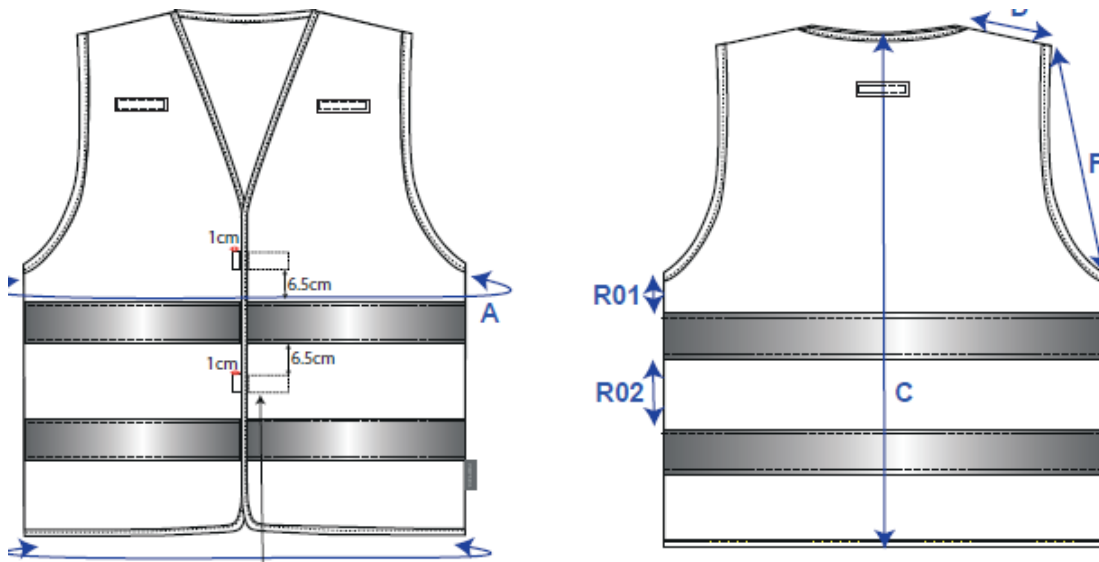


**EC TYPE-EXAMINATION CERTIFICATE
 (EC Directive 89/686/EEC)**

Number EC84513

Notified body number: 2019
 NOTIFIED UNDER ARTICLE 9 OF EC DIRECTIVE 89/686/EEC

Drawing of Garment



CE
2019

Authorised By:
 Dale Brockbank
 Materials Testing Manager

Issue 1 14 August 2017

Certified since 14 August 2017

WYMTS Reference : 84513

❖ This Certificate remains the property of West Yorkshire Materials Testing Service whom it must be returned to on request.



5380