



EC TYPE-EXAMINATION CERTIFICATE (EC Directive 89/686/EEC)

Notified body number: 2019

NOTIFIED UNDER ARTICLE 9 OF EC DIRECTIVE 89/686/EEC

Certificate No: EC67264-01

Issue 1 23 December 2014

Certified since 23 December 2014

Issued to:

Portwest Clothing Ltd.

Fields End Business Park,
Thurnscoe,
South Yorkshire.
S63 0JF,
England.

Portwest Ltd (Fuzhou)

13th Floor, ChuangYe Building,
HaiXi Hitech Industrial Park
MinHou County,
FuZhou City, Fujian Province
China P.C. 350100

It is certified that the manufacturer's technical file and the PPE detailed below have been assessed and found to be in accordance with EC Directive 89/686/EEC for PPE of 'Intermediate Design'.

Portwest Style B303 High Visibility Sweatshirt available in 9 sizes the smallest being size XS.

Portwest Style B304 High Visibility Hooded Sweatshirt available in 8 sizes the smallest being size S.

Portwest Style B305 High Visibility Hooded Sweatshirt with zip front available in 8 sizes the smallest being size S.

The garments are constructed from a knitted 65% polyester / 35% cotton fabric (300 g/m²) in Yellow, and having sewn on retroreflective bands (2 horizontal bands with over the shoulder hoops).

When examined the PPE satisfied the relevant requirements in the harmonized standards,

EN ISO 20471:2013 Class 3

The manufacturer's information notices detailed within the technical file (USP-005-A3-B) in English have been assessed and found to have addressed all of the relevant requirements of the standards. However the detailed content of the notice is the responsibility of the manufacturer as are translations into other languages.

ALL TEST DOCUMENTS MUST BE INCLUDED IN THE TECHNICAL FILE

Authorised by:
D. Brockbank
Materials Testing Manager

CE

2019

- ❖ This Certificate remains the property of West Yorkshire Materials Testing Service whom it must be returned to on request.
- ❖ This certificate is only valid if the seal is stamped.



EC TYPE-EXAMINATION CERTIFICATE (EC Directive 89/686/EEC)

Notified body number: 2019

NOTIFIED UNDER ARTICLE 9 OF EC DIRECTIVE 89/686/EEC

Certificate No: EC67264-01

Issue 1 23 December 2014

Certified since 23 December 2014

Issued to:

Portwest Clothing Ltd.

Fields End Business Park,
Thurnscoe,
South Yorkshire.
S63 0JF,
England.

Portwest Ltd (Fuzhou)

13th Floor, ChuangYe Building,
HaiXi Hitech Industrial Park
MinHou County,
FuZhou City, Fujian Province
China P.C. 350100

Requirement	Assessment	Technical Documentation
Technical File	Technical file in order with PPE Directive (89/686/EEC)	Technical file B303 dated 14.10.14, B304 dated 14.10.14 & B305 dated 14.10.14 and supplements.
ISO 13688 Innocuousness	Garment meets all requirements	Oekotex Certificate 038611
EN 340 Ergonomics and sizing, and ISO20471 Design assessment.	Garment meets all requirements, with smallest size achieving Class 3	Garment Design Assessed
EN ISO 20471 & GO/RT 3279	Background fabric meets EN ISO 20471	BTTG 11/16516/A WYMTS 61362-01 WYMTS 61362-03
EN ISO 20471 & GO/RT 3279	Retro -reflective Tape	Satra SPC0178754/0939/001
Product Markings	Marking meets the requirements of ISO13688:2003 & ISO20471	Detailed within technical File

Drawing of Garments



Authorised by:
D. Brockbank
Materials Testing Manager

CE
2019

❖ This Certificate remains the property of West Yorkshire Materials Testing Service whom it must be returned to on request.

❖ This certificate is only valid if the seal is stamped.



EC TYPE-EXAMINATION CERTIFICATE (EC Directive 89/686/EEC)

Notified body number: 2019

NOTIFIED UNDER ARTICLE 9 OF EC DIRECTIVE 89/686/EEC

Certificate No: EC67264-01

Issue 1 23 December 2014

Certified since 23 December 2014

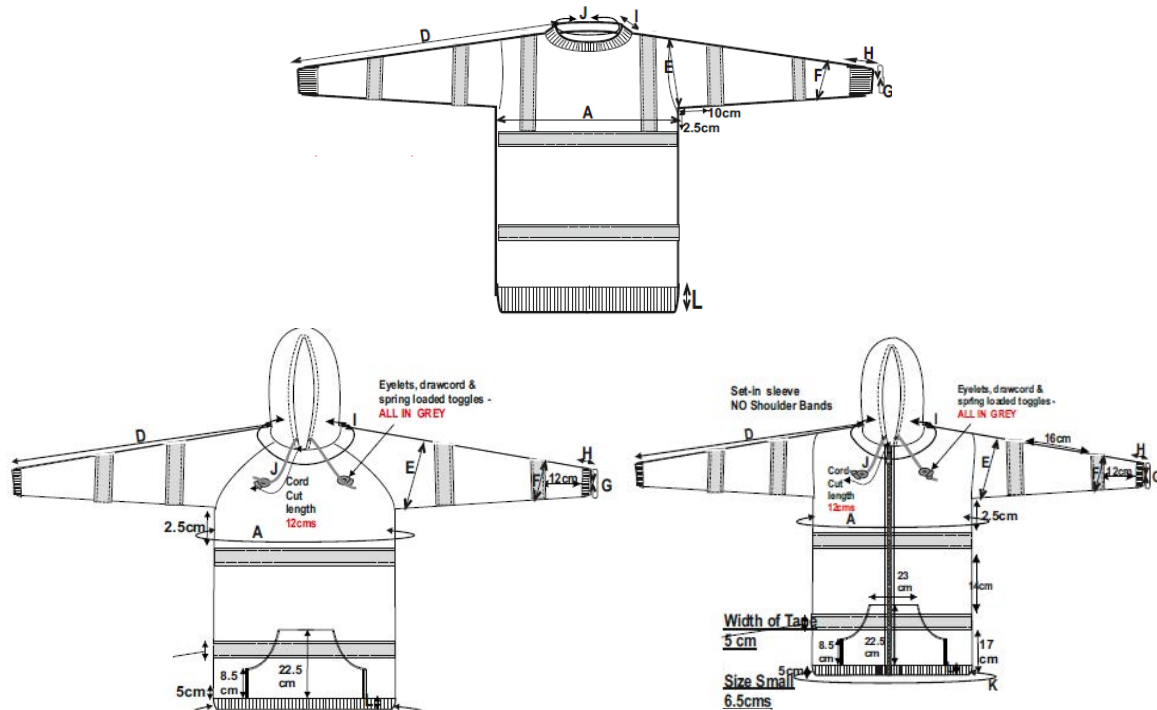
Issued to:

Portwest Clothing Ltd.

Fields End Business Park,
Thurnscoe,
South Yorkshire.
S63 0JF,
England.

Portwest Ltd (Fuzhou)

13th Floor, ChuangYe Building,
HaiXi Hitech Industrial Park
MinHou County,
FuZhou City, Fujian Province
China P.C. 350100




Authorised by:
D. Brockbank
Materials Testing Manager

CE
2019

- ❖ This Certificate remains the property of West Yorkshire Materials Testing Service whom it must be returned to on request.
- ❖ This certificate is only valid if the seal is stamped.





EC TYPE-EXAMINATION CERTIFICATE (EC Directive 89/686/EEC)

Notified body number: 2019

NOTIFIED UNDER ARTICLE 9 OF EC DIRECTIVE 89/686/EEC

Certificate No: EC67264

Issue 1 23 December 2014

Certified since 23 December 2014

Issued to:

Portwest Clothing Ltd.

Fields End Business Park,
Thurnscoe,
South Yorkshire.
S63 0JF,
England.

Portwest Ltd (Fuzhou)

13th Floor, ChuangYe Building,
HaiXi Hitech Industrial Park
MinHou County,
FuZhou City, Fujian Province
China P.C. 350100

It is certified that the manufacturer's technical file and the PPE detailed below have been assessed and found to be in accordance with EC Directive 89/686/EEC for PPE of 'Intermediate Design'.

Portwest Style B303 High Visibility Sweatshirt available in 9 sizes the smallest being size XS.

Portwest Style B304 High Visibility Hooded Sweatshirt available in 8 sizes the smallest being size S.

Portwest Style B305 High Visibility Hooded Sweatshirt with zip front available in 8 sizes the smallest being size S.

The garments are constructed from a knitted 65% polyester / 35% cotton fabric (300 g/m²) in Orange, and having sewn on retroreflective bands (2 horizontal bands with over the shoulder hoops).

When examined the PPE satisfied the relevant requirements in the harmonized standards,

EN ISO 20471:2013 Class 3

And the non harmonized standard:

GO/RT 3279 Issue 8 : 2013

The manufacturer's information notices detailed within the technical file (USP-005-A3-B) in English have been assessed and found to have addressed all of the relevant requirements of the standards. However the detailed content of the notice is the responsibility of the manufacturer as are translations into other languages.

Authorised by:
D. Brockbank
Materials Testing Manager

CE

2019

- ❖ This Certificate remains the property of West Yorkshire Materials Testing Service whom it must be returned to on request.
- ❖ This certificate is only valid if the seal is stamped.



EC TYPE-EXAMINATION CERTIFICATE (EC Directive 89/686/EEC)

Notified body number: 2019

NOTIFIED UNDER ARTICLE 9 OF EC DIRECTIVE 89/686/EEC

Certificate No: EC67264

Issue 1 23 December 2014

Certified since 23 December 2014

Issued to:

Portwest Clothing Ltd.

Fields End Business Park,
Thurnscoe,
South Yorkshire.
S63 0JF,
England.

Portwest Ltd (Fuzhou)

13th Floor, ChuangYe Building,
HaiXi Hitech Industrial Park
MinHou County,
FuZhou City, Fujian Province
China P.C. 350100

ALL TEST DOCUMENTS MUST BE INCLUDED IN THE TECHNICAL FILE

Requirement	Assessment	Technical Documentation
Technical File	Technical file in order with PPE Directive (89/686/EEC)	Technical file B303 dated 14.10.14, B304 dated 14.10.14 & B305 dated 14.10.14 and supplements.
ISO 13688 Innocuousness	Garment meets all requirements	Oekotex Certificate 038611
EN 340 Ergonomics and sizing, and ISO20471 Design assessment.	Garment meets all requirements, with smallest size achieving Class 3	Garment Design Assessed
EN ISO 20471 & GO/RT 3279	Background fabric meets EN ISO 20471	BTTG 11/16516/B WYMTS 61362-01 WYMTS 61362-03
EN ISO 20471 & GO/RT 3279	Retro -reflective Tape	Satra SPC0178754/0939/001
Product Markings	Marking meets the requirements of ISO13688:2003 & ISO20471	Detailed within technical File

Drawing of Garments



Authorised by:
D. Brockbank
Materials Testing Manager

CE
2019

- ❖ This Certificate remains the property of West Yorkshire Materials Testing Service whom it must be returned to on request.
- ❖ This certificate is only valid if the seal is stamped.



EC TYPE-EXAMINATION CERTIFICATE (EC Directive 89/686/EEC)

Notified body number: 2019

NOTIFIED UNDER ARTICLE 9 OF EC DIRECTIVE 89/686/EEC

Certificate No: EC67264

Issue 1 23 December 2014

Certified since 23 December 2014

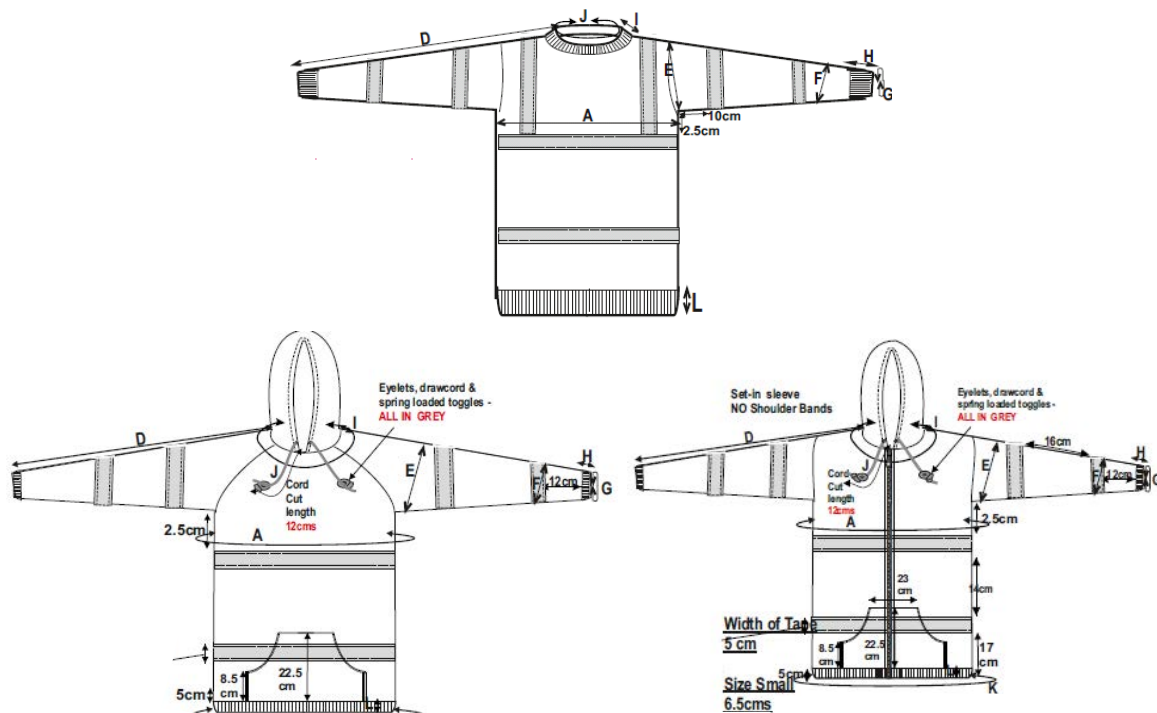
Issued to:

Portwest Clothing Ltd.

Fields End Business Park,
Thurnscoe,
South Yorkshire.
S63 0JF,
England.

Portwest Ltd (Fuzhou)

13th Floor, ChuangYe Building,
HaiXi Hitech Industrial Park
MinHou County,
FuZhou City, Fujian Province
China P.C. 350100




Authorised by:
D. Brockbank
Materials Testing Manager

CE
2019

❖ This Certificate remains the property of West Yorkshire Materials Testing Service whom it must be returned to on request.

❖ This certificate is only valid if the seal is stamped.

