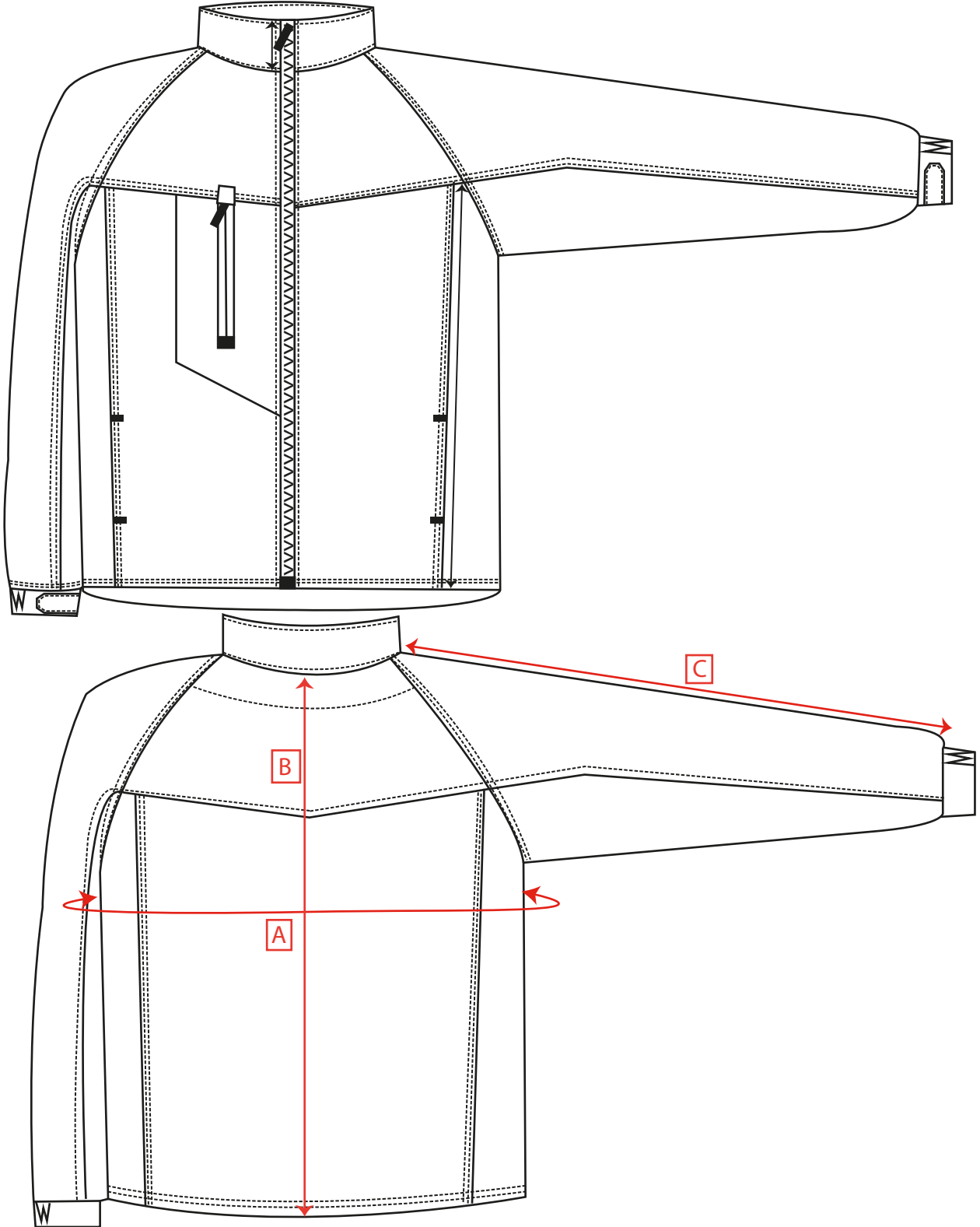


STYLE NO: **TK40**

DESCRIPTION: **Oregon Softshell**



The Measurements Plus Tolerance only

	Code	XS	S	M	L	XL	2XL	3XL	4XL
<b>To Fit Chest</b>		<b>80-88</b>	<b>92-96</b>	<b>100-104</b>	<b>108-112</b>	<b>116-124</b>	<b>128-132</b>	<b>136-140</b>	<b>144-148</b>
Chest	<b>A</b>	106	114	122	130	138	146	154	162
Nape to Hem	<b>B</b>	77	77	77	79	79	79	79	79
Collar to Cuff	<b>C</b>	80	81	82	83	84	85	86	87