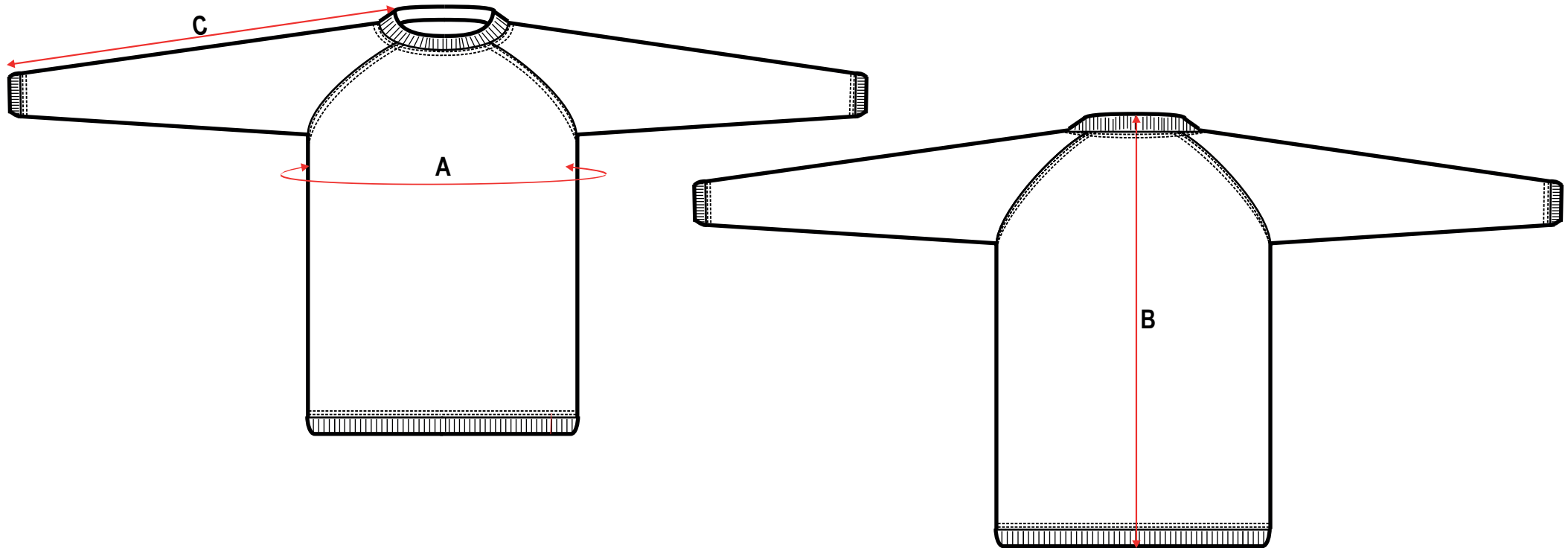


STYLE NO: FR12

DESCRIPTION: FR Anti-Static Sweatshirt

FABRIC: 60% Modacrylic, 39% Cotton and 1% Carbon fibre

COLOUR: Black & Navy



| AREA | Code | XSMALL | SMALL | MEDIUM | LARGE | XL | 2XL | 3XL | 4XL | 5XL | 6XL | 7XL |
|--|------|--------|-------|--------|-------|-----|-----|-----|-----|-----|-----|-----|
| Chest | A | 100 | 108 | 117 | 126 | 135 | 144 | 153 | 161 | 173 | 185 | 197 |
| Back Length - including collar & waistband | B | 76 | 76 | 76 | 76 | 76 | 76 | 78 | 78 | 78 | 78 | 78 |
| Sleeve Length - Include Collar & Cuff | C | 79 | 80 | 81 | 82 | 83 | 84 | 85 | 86 | 87 | 88 | 89 |